

# VB 315

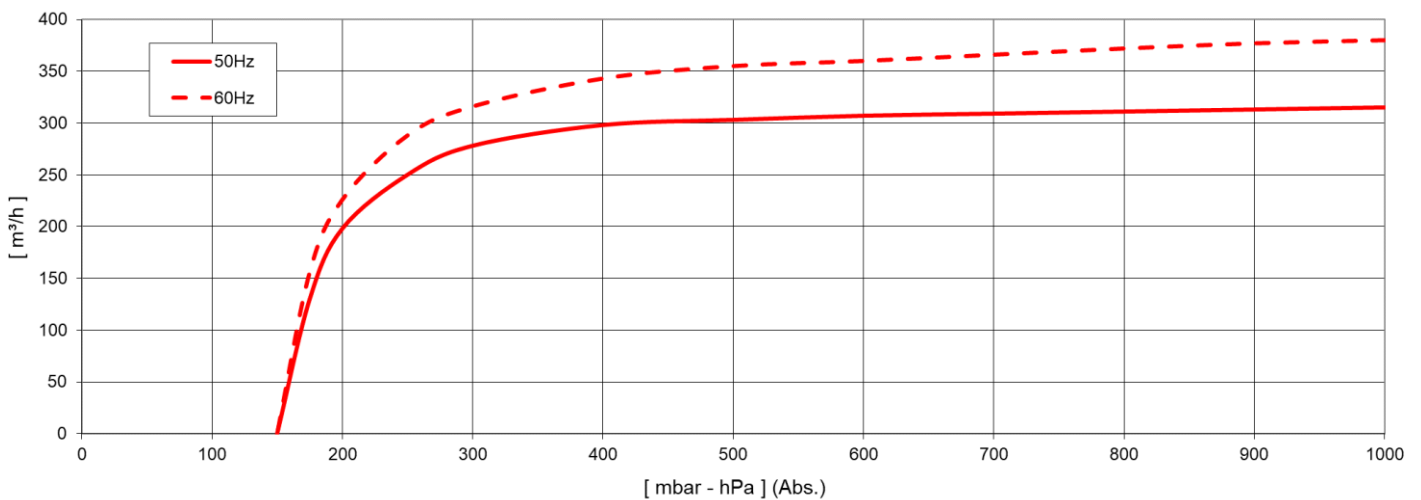
CLAW PUMP



## TECHNICAL DATA

		VB 315	
CODE		9816004	
FREQUENCY	Hz	50	60
NOMINAL CAPACITY	m <sup>3</sup> /h	315	380
TOTAL FINAL PRESSURE (ABS)	mbar -hPa	150	
MOTOR POWER	kW	5,5	6,6
OIL QUANTITY (MIN - MAX)	dm <sup>3</sup>	1	
OIL TYPE	Cod. DVP	GR150S	
NOISE LEVEL (UNI EN ISO 2151 – 3dB)	dB (A)	71	74
WEIGHT	kg	305	

## GRAPH

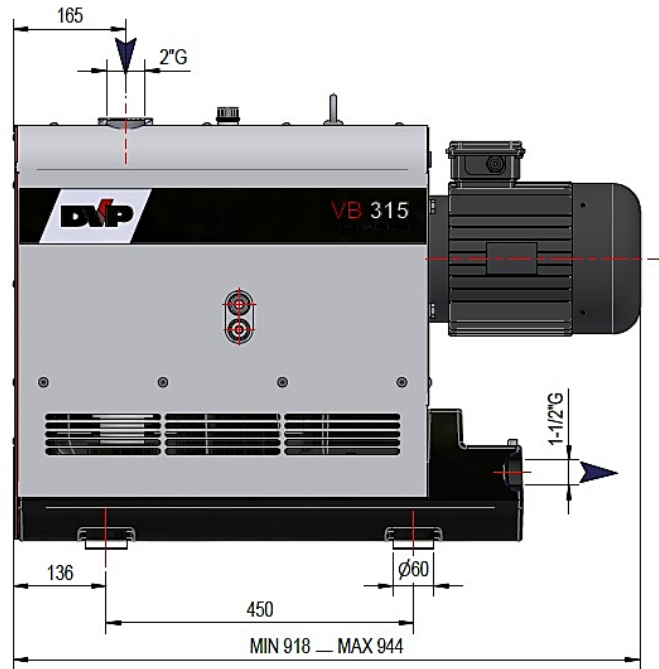
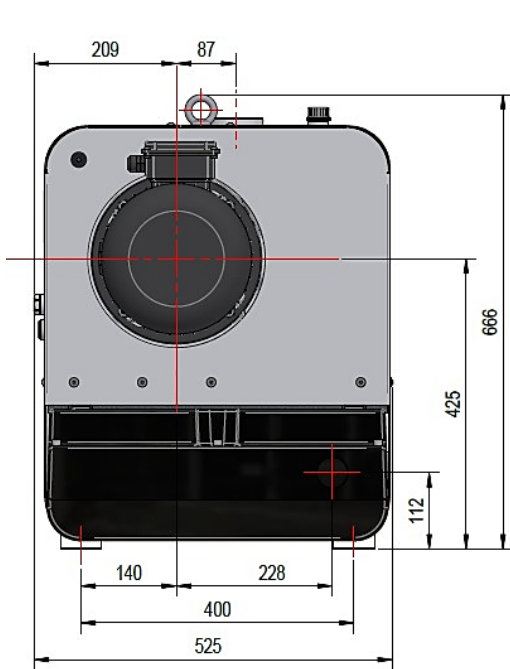


NOTE: Graph shows inlet pressure at temperature of 20°C (tolerance ±10%)

# VB 315

CLAW PUMP

## DIMENSIONS



Subject to change without prior notice

## MOTORS

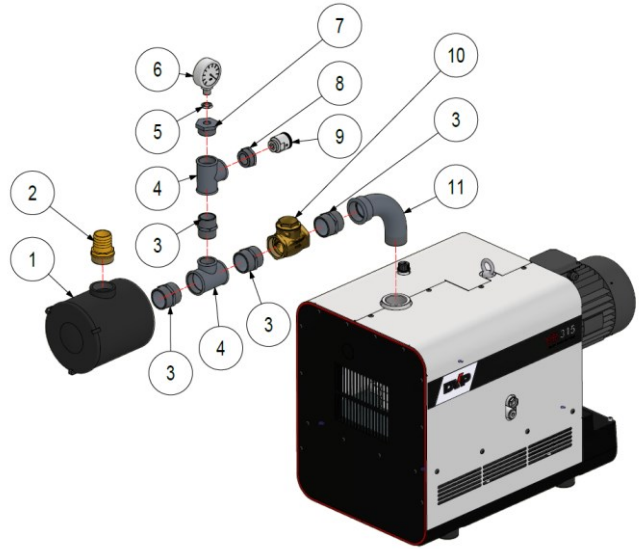
VB 315 [3 phase]						
ID	POWER [kW]	TENSION	FREQUENCY	EFFICIENCY	RPM	
SF	5,5	$\Delta$ 230/Y400	50	IE3	2935	
	5,5	$\Delta$ 265/Y460	60	IE3	3530	
SL	5,5	YY190-200/Y380-400	50	IE3	2930	
	6,6	YY208-230/Y460	60	IE3	3520	UL FILE
	6,6	YY200-220/Y400-440	60	-	3500	

# VB 315

CLAW PUMP

## ACCESSORIES

		Code
1	FILTER FCM	9001019
2	HOSE FITTING	2103016
3	NIPPLES	2201007
4	HOSE FITTING	2106047
5	NUT	0202004
6	VACUUM GAUGE VMR	9009003
7	REDUCTION	2001049
8	REDUCTION	2001034
9	VACUUM REGULATOR VALVE	9004018
10	VALVE VNR	9007106
11	ELBOW	2101018



Subject to change without prior notice